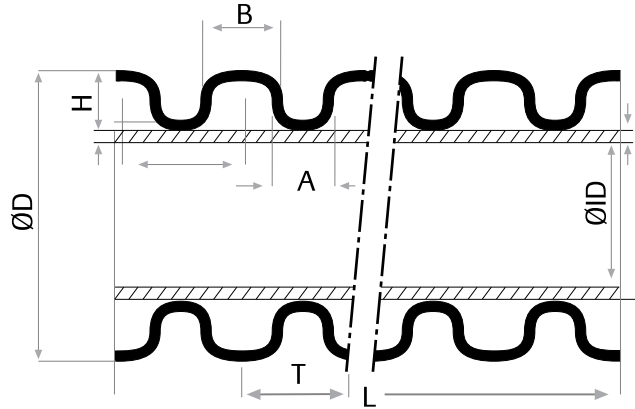
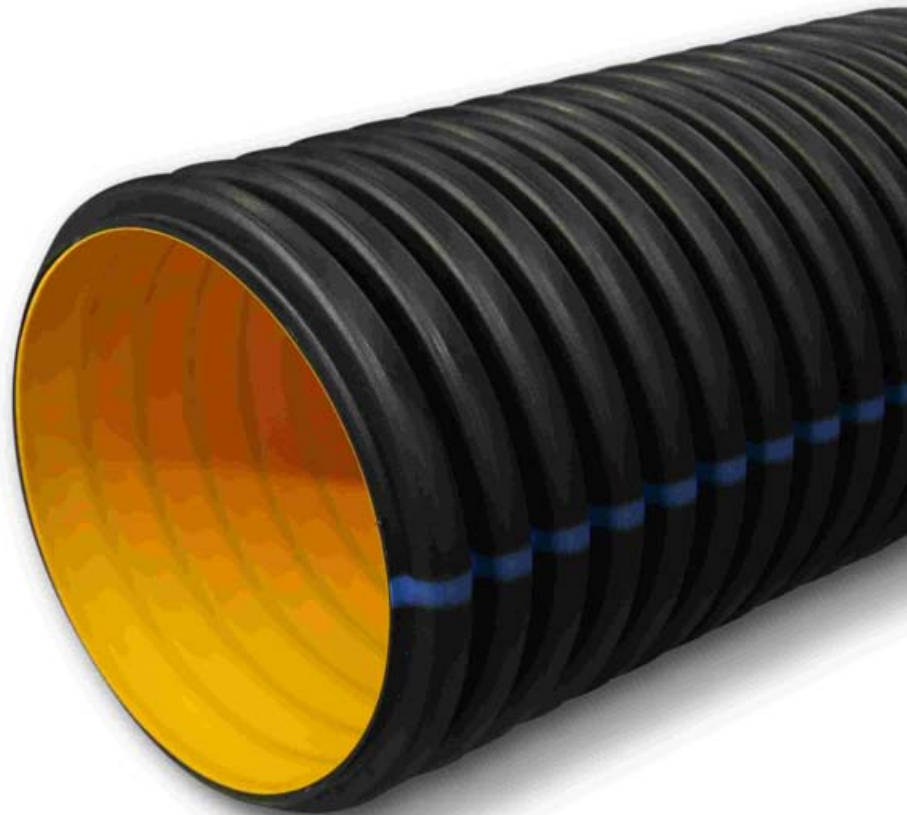


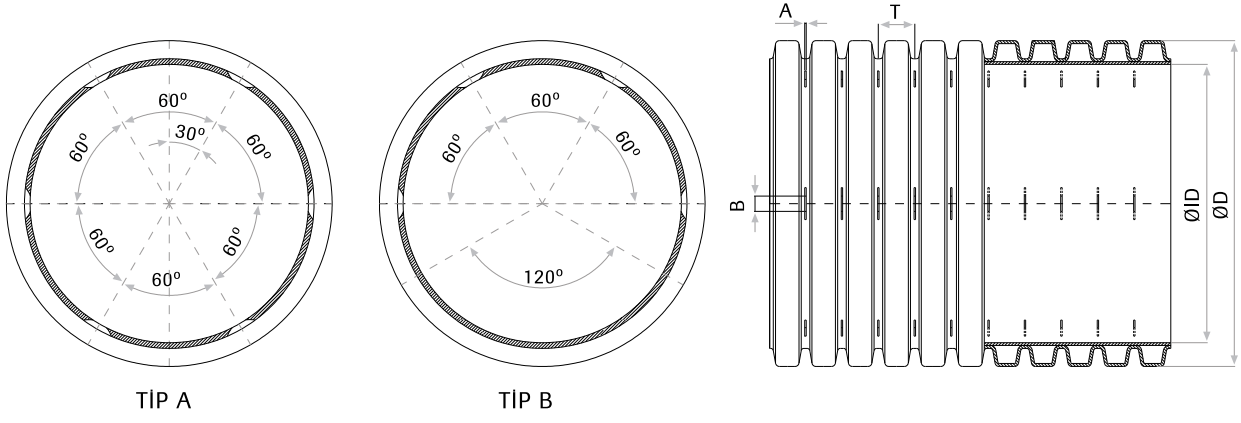
## TRIPLEX BORULAR



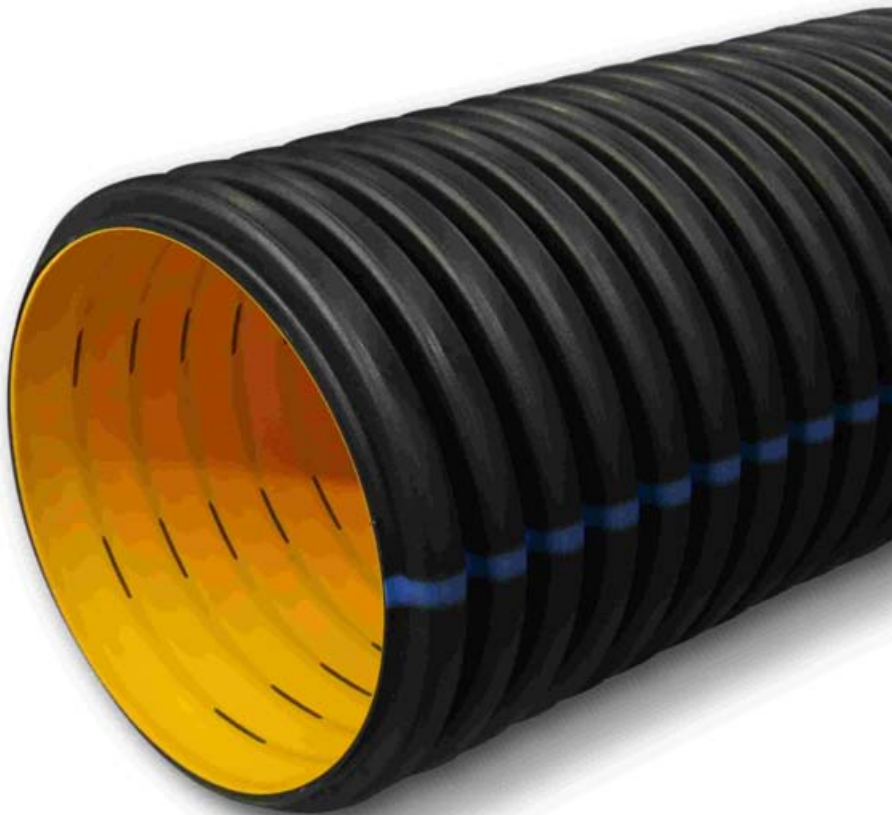
Kod	İÇ ÇAP ØID mm	DIŞ ÇAP ØD mm	L m	H mm	A mm	B mm	T mm
<b>7584000100</b>	100	118	6-12	7.7	4.1	6.8	11.0
<b>7584000125</b>	125	129	6-12	6.5	4.3	8.5	14.7
<b>7584000150</b>	150	174	6-12	9.2	4.6	11.0	18.8
<b>7584000200</b>	200	233	6-12	13.0	5.9	15.7	26.2
<b>7584000250</b>	250	291	6-12	15.7	7.1	18.8	31.5
<b>7584000300</b>	300	353	6-12	20.0	8.2	24.0	36.3
<b>7584000400</b>	400	468	6-12	26.0	11.2	32.0	52.4
<b>7584000500</b>	500	580	6-12	36.0	14.0	42.0	66.0
<b>7584000600</b>	600	700	6-12	44.0	15.0	48.0	75.0
<b>7584000800</b>	800	904	6-12	45.0	31.0	64.0	106
<b>7584021000</b>	1000	1140	6-12	61.2	39.5	78.0	132



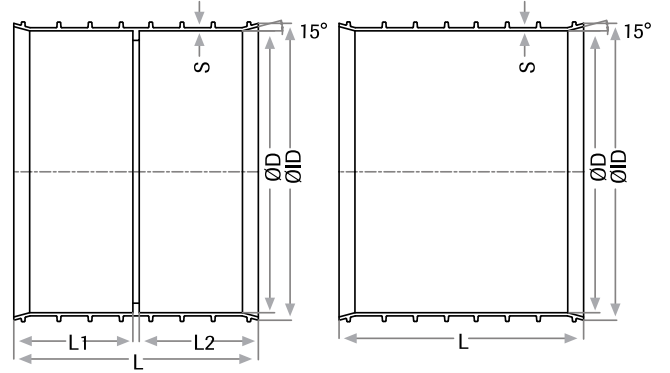
## TRIPLEX PERFORELİ DRENAJ BORULAR



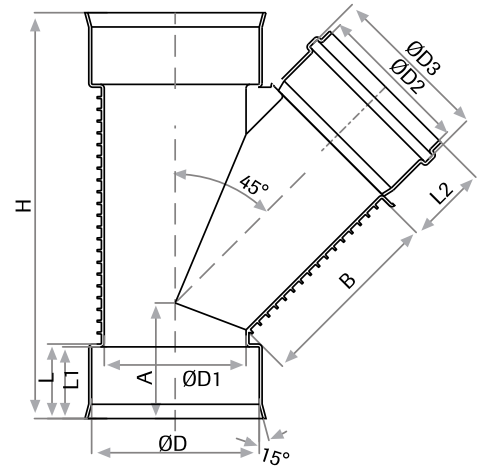
Kod	İÇ ÇAP ØID mm	DIŞ ÇAP ØD mm	A m	B mm	T mm	Kesit Alanı cm <sup>2</sup> /m
<b>7584P00200</b>	200	233	2	11	26	> 50
<b>7584P00250</b>	250	291	2	14	31	> 50
<b>7584P00300</b>	300	353	2	17	39	> 50
<b>7584P00400</b>	400	468	2	22	52	> 50



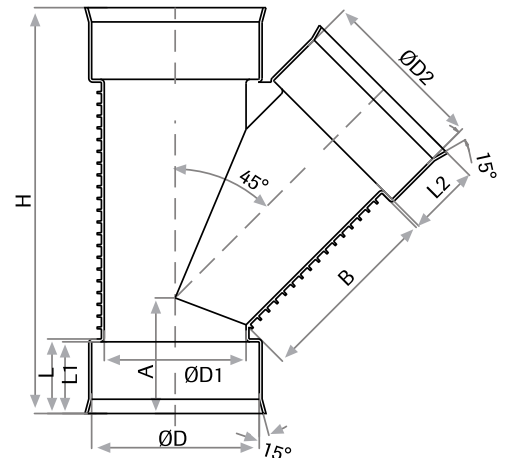
## MANŞON &amp; KAYAR MANŞON



## PVC BORU ÇIKIŞLI C PARÇA



## TRIPLEX BORU ÇIKIŞLI C PARÇA

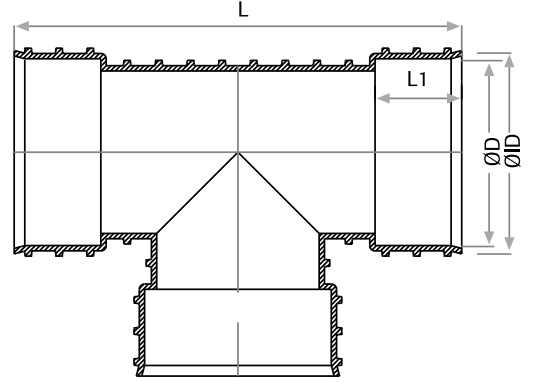


Kod	ANMA ÇAPI	İÇ ÇAP ØID mm	DIŞ ÇAP ØD mm	L mm	L1 mm	L2 mm	S mm
7517000120	100	129.6	119	250	123	123	2.5
7588001125	125	158.5	140.5	122	60	60	4
7588001150	150	189.6	176	169	82	82	4
7588001200	200	254	235	206	100.5	100.5	4
7588001250	250	312	293	248	121.5	121.5	4
7588001300	300	374	355	308	151.5	151.5	4
7588001400	400	489	470	412	203.5	203.5	4

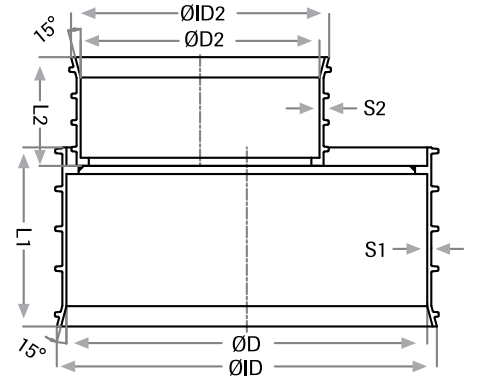
Kod	ANMA ÇAPI	H mm	L mm	L1 mm	L2 mm	ØD mm	ØD1 mm	ØD2 mm	ØD3 mm	A mm	B mm
7588200201	Ø200/Ø200	569.0	104.5	100.5	104.5	235.0	198.8	200.6	216.2	162.0	267.2
7588250201	Ø250/Ø200	611.0	125.5	121.5	104.5	293.0	248.6	200.6	216.2	152.9	267.9
7588300201	Ø300/Ø200	671.0	155.5	151.5	104.5	355.0	299.8	200.6	216.2	172.3	275.5
7588400201	Ø400/Ø200	775.0	207.5	203.5	104.5	470.0	399.8	200.6	216.2	173.0	290.4

Kod	ANMA ÇAPI	H mm	L mm	L1 mm	L2 mm	ØD mm	ØD1 mm	ØD2 mm	A mm	B mm
7588200200	Ø200/Ø200	569.0	104.5	100.5	100.5	235.0	198.8	235	162.0	267.2
7588250200	Ø250/Ø200	611.0	125.5	121.5	100.5	293.0	248.6	235	152.9	267.9
7588300200	Ø300/Ø200	671.0	155.5	151.5	100.5	355.0	299.8	235	172.3	275.5
7588400200	Ø400/Ø200	775.0	207.5	203.5	100.5	470.0	399.8	235	173.0	290.4

## TRIPLEX TE PARÇA



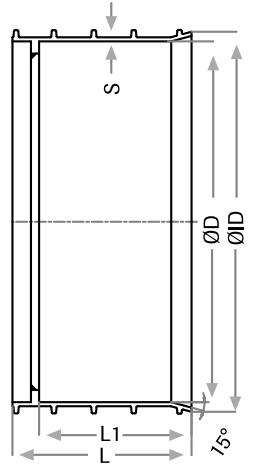
## REDÜKSİYON



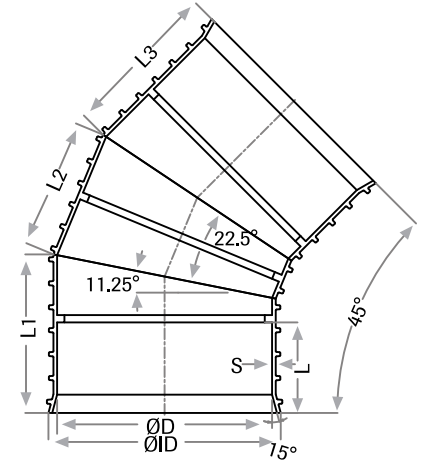
Kod	ANMA ÇAPI	İÇ ÇAP ØID mm	DIŞ ÇAP ØD mm	L mm	L1 mm	S mm
7588009110	100	119	129.6	410	123	2.5
7588009125	125	140.5	158.5	450	60	4
7588009150	150	176	189.6	480	82	4
7588009200	200	235	254	750	100.5	4
7588009250	250	293	312	780	121.5	4
7588009300	300	355	374	960	151.5	4
7588009400	400	470	489	1050	203.5	4

Kod	ANMA ÇAPI	ØD mm	ØID mm	L1 mm	ØD2 mm	ØID2 mm	L2 mm	S1 mm	S2 mm
7588011125	125-100								
7588011150	150-100	176	189.6	101	119	129.5	128	4	2.5
7588011152	150-125								
7588011201	200-100	235	254	119	119	129.5	128	4	2.5
7588011202	200-125								
7588011200	200-150	235	254	119	176	189.6	87	4	4
7588011252	250-100	293	312	142.5	119	129.5	128	4	2.5
7588011253	250-125								
7588011251	250-150	293	312	142.5	176	189.6	87	4	4
7588011250	250-200	293	312	142.5	234	254	107	4	4
7588011303	300-100	355	374	176.2	119	129.5	128	4	2.5
7588011304	300-125								
7588011302	300-150	355	374	176.2	176	189.6	87	4	4
7588011301	300-200	355	374	176.2	235	254	107	4	4
7588011300	300-250	355	374	176.2	193	312	128	4	4
7588011403	400-125	470	489	234.4	119	129.5	128	4	2.5
7588011404	400-150	470	489	234.4	176	189.6	87	4	4
7588011401	400-200	470	489	234.4	235	254	107	4	4
7588011402	400-250	470	489	234.4	293	312	128	4	4
7588011400	400-300	470	489	234.4	355	374	158	4	4

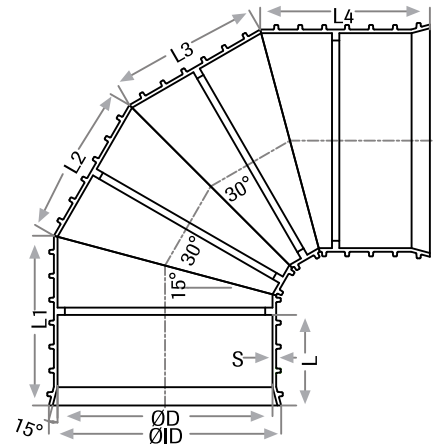
## KAPAMA BAŞLIĞI



## 45° DİRSEK



## 90° DİRSEK



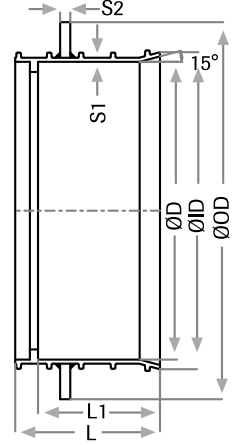
Kod	ANMA ÇAPI	ØD mm	ØID mm	L mm	L1 mm	S mm
<b>7588012110</b>	100	119	129.6	130	123	2.5
<b>7588012125</b>	125					
<b>7588012150</b>	150	176	189.6	101	82	4
<b>7588012200</b>	200	235	254	119	100.5	4
<b>7588012250</b>	250	293	312	142.5	121.5	4
<b>7588012300</b>	300	355	374	176.2	151.5	4
<b>7588012400</b>	400	470	489	234.4	203.5	4

Kod	ANMA ÇAPI	ØD mm	ØID mm	L mm	L1 mm	L2 mm	L3 mm	S mm
<b>7588007110</b>	100	119	129.6	123	87.6	71.6	87.6	2.5
<b>7588007125</b>	125							
<b>7588007150</b>	150	176	189.6	82	129.5	106	129.5	4
<b>7588007200</b>	200	235	254	100.5	173	141.5	173	4
<b>7588007250</b>	250	293	312	121.5	203.9	164.75	205.9	4
<b>7588007300</b>	300	355	374	151.5	254.75	189.4	189.4	4
<b>7588007400</b>	400	470	489	203.5	330	250	250	4

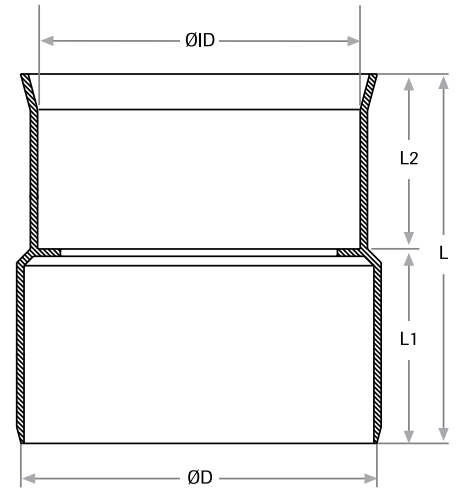
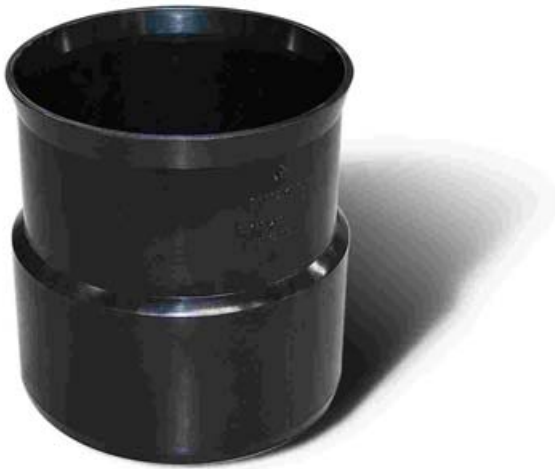
Kod	ANMA ÇAPI	ØD mm	ØID mm	L mm	L1 mm	L2 mm	L3 mm	L4 mm	S mm
<b>7588008110</b>	100	119	129.6	123	94	85.5	85.5	94	2.5
<b>7588008125</b>	125								
<b>7588008150</b>	150	176	189.6	82	139	123.5	123.5	139	4
<b>7588008200</b>	200	235	254	100.5	185.5	165	165	185.5	4
<b>7588008250</b>	250	293	312	121.5	225.6	201.3	201.3	225.6	4
<b>7588008300</b>	300	355	374	151.5	277.3	239.5	239.5	277.3	4
<b>7588008400</b>	400	470	489	203.5	363	316	363	316	4



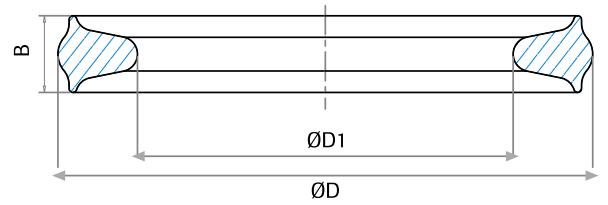
## BETON GEÇİŞ PARÇASI



## BORU ADAPTÖR PARÇASI



## TRIPLEX ve PERFORE BORU CONTASI



Kod	ANMA ÇAPI	ØD mm	ØID mm	ØOD mm	L mm	L1 mm	S1 mm	S2 mm
<b>7588500100</b>	100	119	129.6	224	130	123	2.5	10
<b>7588500125</b>	125	140.5	158.5	268	80	60	4	10
<b>7588500150</b>	150	176	189.6	304	101	82	4	10
<b>7588500200</b>	200	235	254	363	119	100.5	4	10
<b>7588500250</b>	250	293	312	441	142.5	121.5	4	10
<b>7588500300</b>	300	355	374	523	176.2	151.5	4	15
<b>7588500400</b>	400	470	489	678	234.4	203.5	4	15

Kod	ANMA ÇAPI	ØD mm	ØID mm	L mm	L1 mm	L2 mm	S mm
<b>7588200152</b>	200-150	200	177	203	99	96	4

Kod	ANMA ÇAPI	ØD mm	ØID mm	ØOD mm
<b>2001002300</b>	100	107	89	8.5
<b>7819990125</b>	125	138	125	9.4
<b>7819990150</b>	150	174.3	150	9.5
<b>7819990200</b>	200	232.5	200	16
<b>7819990250</b>	250	287.7	250	18
<b>7819990300</b>	300	346.4	300	21.6
<b>7819990400</b>	400	461.8	400	28.4
<b>7819990500</b>	500	525.6	461.2	33.2
<b>7819990601</b>	600	594.5	519.5	37.5
<b>7819990801</b>	800	718.7	605.3	39
<b>7819991000</b>	1000	925.6	771.6	44.3

\* Fırat katalog ölçülerinde, ilgili standart gerekliliğini sağlamak koşulu ile +, - değişiklik yapma hakkına sahiptir.